

Figure 5-6 148C-1 NBFM Adaptor Schematic Diagram

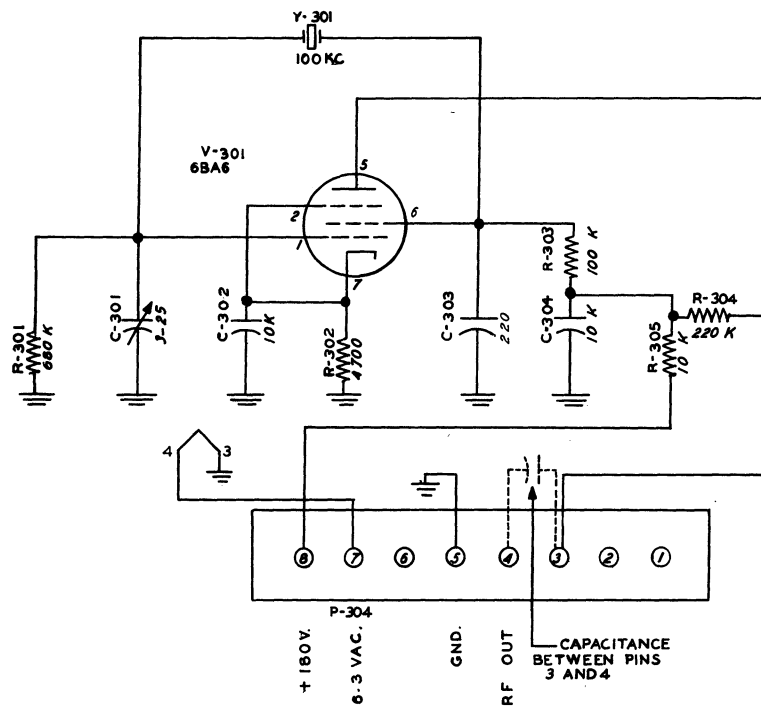


Figure 5-7 8R-1 Crystal Calibrator Schematic Diagram